

MULTIPLE STAGE CONFIGURATIONS BETWEEN DIFFERENT GROUP



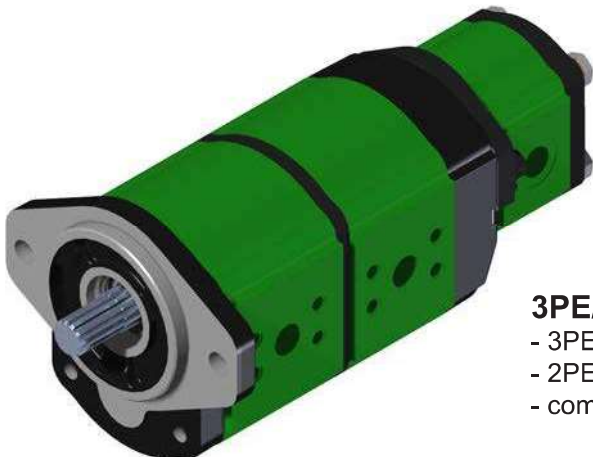
2PE/1.5PE:

- 2PE front pump can be single or multiple
- 1.5PE rear pump can be single or multiple
- common suction or separated suction



2.5PB/2PE:

- 2.5PB front pump can be single or multiple
- 2PE rear pump can be single or multiple
- common suction or separated suction



3PE/2PE:

- 3PE front pump can be single or multiple
- 2PE rear pump can be single or multiple
- common suction or separated suction



3.5PC/2PE:

- 3.5PC front pump can be single or multiple
- 2PE rear pump can be single or multiple
- configuration with separated suction available

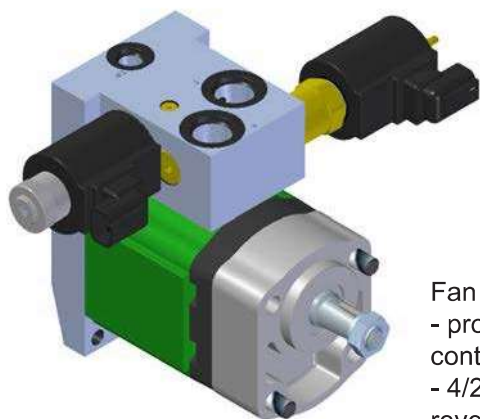
E0.000.0415.11.041M00

2ME



- Gear motors made with aluminium body, cast iron flanges and covers
- High volumetric efficiency achieved by floating bushings and axial compensation.
- 12 teeth integral one piece gear and shaft.
- Double shaft seal.
- Available with flanges, shafts and ports for the main European, German and American standards.
- Outtrigger bearing available.
- Wide range of rear covers with built-in valves.

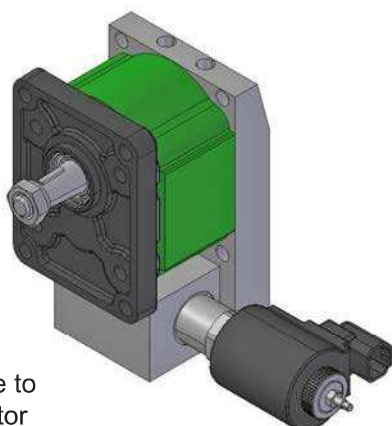
GROUP 2 - E SERIES	Displacement		Max. continuous pressure P1		Max. starting pressure P2		Max. speed	Min. speed
	cm ³ /rev	cu.in/rev	bar	psi	bar	psi		
2ME - 4.5	4.6	0.27	250	3625	280	4060	4000	600
2ME - 6.5	6.5	0.4	250	3625	280	4060	4000	600
2ME - 8.3	8.2	0.5	250	3625	280	4060	3600	500
2ME - 10.5	10.6	0.65	250	3625	280	4060	3500	500
2ME - 11.3	11.5	0.68	250	3625	280	4060	3500	500
2ME - 12.5	12.7	0.77	250	3625	280	4060	3400	500
2ME - 13.8	13.8	0.84	250	3625	280	4060	3400	500
2ME - 16	16.6	1.01	250	3625	280	4060	3200	450
2ME - 19	19.4	1.15	220	3140	240	3480	3200	450
2ME - 22.5	22.9	1.37	200	2900	220	3140	3000	450
2ME - 26	25.8	1.58	180	2610	200	2900	2850	450



- Air compressor drive release:
- electric or manual motor speed control
 - electric venting valve



- Fan drive release:
- proportional electric valve to control the speed of the motor
 - 4/2 ON-OFF electric valve to reverse the rotation



- Fan drive release:
- proportional solenoid valve to control the speed of the motor



- Reversible release:
- available also with internal drain

E0.000.0415.11.04IM00

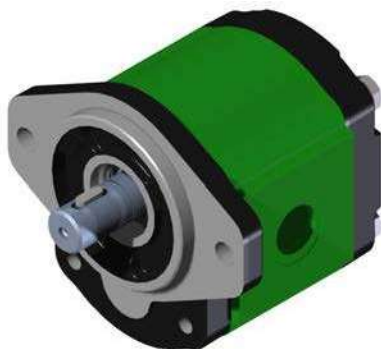
2.5MB



- Gear motors made with alluminium body, cast iron flanges and covers
- High volumetric efficiency achieved by floating bushings and axial compensation.
- 12 teeth integral one piece gear and shaft.
- Double shaft seal.
- Available with flanges, shafts and ports for the main European and American standards.
- Outrigger bearing available.

	Displacement		Max. continuous pressure P1		Max. starting pressure P2		Max. speed	Min. speed
	cm ³ /rev	cu.in/rev	bar	psi	bar	psi		
GROUP 2.5 - B SERIES							min ⁻¹	
2.5MB - 16	16	0.97	250	3625	280	4060	3000	600
2.5MB - 19	19.3	1.17	250	3625	280	4060	3000	600
2.5MB - 22	22.2	1.35	250	3625	280	4060	3000	500
2.5MB - 25	25.2	1.53	250	3625	280	4060	3000	500
2.5MB - 28	27.6	1.68	250	3625	280	4060	3000	500
2.5MB - 32	32.4	1.97	230	3330	250	3625	3000	500
2.5MB - 38	38.1	2.32	200	2900	220	3140	2750	400
2.5MB - 44	44.2	2.69	170	2465	190	2755	2500	400

3ME



- Gear motors made with alluminium body, cast iron flanges and covers
- High volumetric efficiency achieved by floating bushings and axial compensation.
- 12 teeth integral one piece gear and shaft.
- Double shaft seal.
- Available with flanges, shafts and ports for the main European and American standards.
- Outrigger bearing available.

	Displacement		Max. continuous pressure P1		Max. starting pressure P2		Max. speed	Min. speed
	cm ³ /rev	cu.in/rev	bar	psi	bar	psi		
GROUP 3 - E SERIES							min ⁻¹	
3ME - 27	27	1.65	250	3625	300	4350	3000	600
3ME - 33	33.5	2.04	250	3625	300	4350	3000	600
3ME - 38	38.7	2.36	250	3625	300	4350	2750	500
3ME - 46	46.9	2.86	250	3625	280	4060	2750	500
3ME - 55	54.1	3.3	220	3140	250	3625	2500	400
3ME - 65	63.1	3.85	200	2900	240	3480	2500	400
3ME - 75*	73.4	4.48	180	2610	220	3140	2500	400

E0.000.0415.11.04IM00