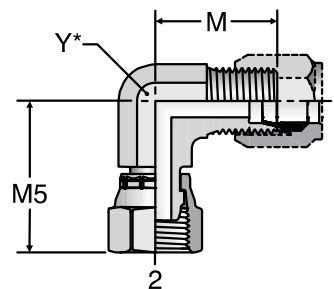


### C6BU Swivel Nut Elbow

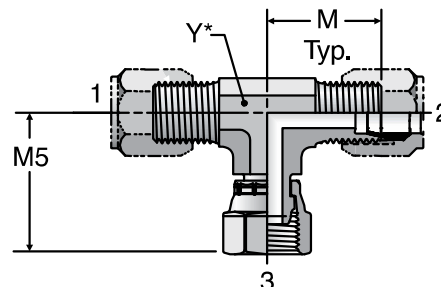
Flareless / Flareless Swivel  
SAE 080221



Tube O.D. End 1 inch	Tube O.D. End 2 inch	M inch	M5 inch	Y inch	Weight steel g/1 piece	Ferulok® steel	Ferulok® stainless steel	Pressure steel bar	Pressure stainless steel bar
1/4	1/4	0.89	1.00	7/16	36	<b>4 C6BU-S</b>	<b>4 C6BU-SS</b>	345	345
3/8	3/8	1.05	1.25	9/16	64	<b>6 C6BU-S</b>	<b>6 C6BU-SS</b>	345	345
1/2	1/2	1.25	1.38	3/4	114	<b>8 C6BU-S</b>	<b>8 C6BU-SS</b>	345	345
5/8	5/8	1.42	1.62	7/8	159	<b>10 C6BU-S</b>	<b>10 C6BU-SS</b>	310	310
3/4	3/4	1.58	1.75	1 1/16	254	<b>12 C6BU-S</b>	<b>12 C6BU-SS</b>	276	276
1	1	1.73	2.00	1 5/16	381	<b>16 C6BU-S</b>	<b>16 C6BU-SS</b>	207	207
1 1/4	1 1/4	1.89	2.31	1 5/8	518	<b>20 C6BU-S</b>	<b>20 C6BU-SS</b>	172	172
1 1/2	1 1/2	2.02	2.42	1 7/8	531	<b>24 C6BU-S</b>	<b>24 C6BU-SS</b>	138	138

### S6BU Swivel Nut Branch Tee

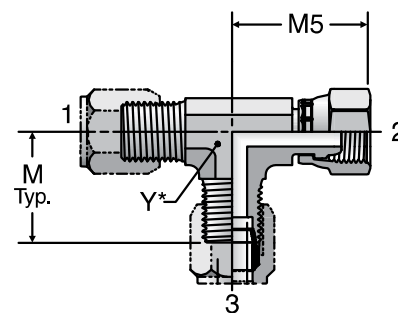
Flareless / Flareless Swivel  
SAE 080202



Tube O.D. End 1 inch	Tube O.D. End 2 inch	Tube O.D. End 3 inch	M inch	M5 inch	Y inch	Weight steel g/1 piece	Ferulok® steel	Ferulok® stainless steel	Pressure steel bar	Pressure stainless steel bar
1/4	1/4	1/4	0.89	1.00	7/16	59	<b>4 S6BU-S</b>	<b>4 S6BU-SS</b>	345	345
3/8	3/8	3/8	1.05	1.25	9/16	95	<b>6 S6BU-S</b>	<b>6 S6BU-SS</b>	345	345
1/2	1/2	1/2	1.25	1.38	3/4	173	<b>8 S6BU-S</b>	<b>8 S6BU-SS</b>	345	345
3/4	3/4	3/4	1.58	1.75	1 1/16	390	<b>12 S6BU-S</b>	<b>12 S6BU-SS</b>	276	276
1	1	1	1.73	2.00	1 5/16	454	<b>16 S6BU-S</b>	<b>16 S6BU-SS</b>	207	207

### R6BU Swivel Nut Run Tee

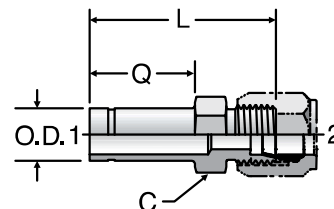
Flareless / Flareless Swivel  
SAE 080432



Tube O.D. End 1 inch	Tube O.D. End 2 inch	Tube O.D. End 3 inch	M inch	M5 inch	Y inch	Weight steel g/1 piece	Ferulok® steel	Ferulok® stainless steel	Pressure steel bar	Pressure stainless steel bar
1/4	1/4	1/4	0.89	1.00	7/16	59	<b>4 R6BU-S</b>	<b>4 R6BU-SS</b>	345	345
3/8	3/8	3/8	1.05	1.25	9/16	100	<b>6 R6BU-S</b>	<b>6 R6BU-SS</b>	345	345
1/2	1/2	1/2	1.25	1.38	3/4	177	<b>8 R6BU-S</b>	<b>8 R6BU-SS</b>	345	345
3/4	3/4	3/4	1.58	1.75	1 1/16	495	<b>12 R6BU-S</b>	<b>12 R6BU-SS</b>	276	276
1	1	1	1.73	2.00	1 5/16	826	<b>16 R6BU-S</b>	<b>16 R6BU-SS</b>	207	207

### TRBU Tube End Reducer

Tube / Flareless  
SAE 080123



Tube O.D. End 1 inch	Tube O.D. End 2 inch	Hex C inch	L inch	Q inch	Weight steel g/1 piece	Ferulok® steel	Ferulok® stainless steel	Pressure steel bar	Pressure stainless steel bar
3/8	1/4	1/2	1.61	0.88	27	<b>6-4 TRBU-S</b>	<b>6-4 TRBU-SS</b>	413	413
1/2	1/4	9/16	1.73	1	36	<b>8-4 TRBU-S</b>	<b>8-4 TRBU-SS</b>	345	345
1/2	3/8	5/8	1.77	1	45	<b>8-6 TRBU-S</b>	<b>8-6 TRBU-SS</b>	345	345
5/8	3/8	11/16	1.86	1.09	54	<b>10-6 TRBU-S</b>	<b>10-6 TRBU-SS</b>	345	345
5/8	1/2	13/16	1.95	1.09	73	<b>10-8 TRBU-S</b>	<b>10-8 TRBU-SS</b>	310	310
3/4	3/8	13/16	1.94	1.16	68	<b>12-6 TRBU-S</b>	<b>12-6 TRBU-SS</b>	310	310
3/4	1/2	13/16	2.03	1.16	77	<b>12-8 TRBU-S</b>	<b>12-8 TRBU-SS</b>	310	310
3/4	5/8	15/16	2.16	1.16	100	<b>12-10 TRBU-S</b>	<b>12-10 TRBU-SS</b>	310	310
1	1/2	1 1/16	2.05	1.13	114	<b>16-8 TRBU-S</b>	<b>16-8 TRBU-SS</b>	276	276
1	5/8	1 1/16	2.11	1.13	132	<b>16-10 TRBU-S</b>	<b>16-10 TRBU-SS</b>	276	276
1	3/4	1 1/8	2.25	1.13	168	<b>16-12 TRBU-S</b>	<b>16-12 TRBU-SS</b>	276	276
1 1/4	1	1 3/8	2.28	1.16	250	<b>20-16 TRBU-S</b>	<b>20-16 TRBU-SS</b>	207	207
1 1/2	3/4	1 5/8	2.45	1.25	268	<b>24-12 TRBU-S</b>	<b>24-12 TRBU-SS</b>	138	138
1 1/2	1	1 5/8	2.45	1.25	336	<b>24-16 TRBU-S</b>	<b>24-16 TRBU-SS</b>	138	138
1 1/2	1 1/4	1 7/8	2.45	1.25	440	<b>24-20 TRBU-S</b>	<b>24-20 TRBU-SS</b>	138	138